

# Example Application – Bathroom Modification

Client name:

Client contact number:

Client address:

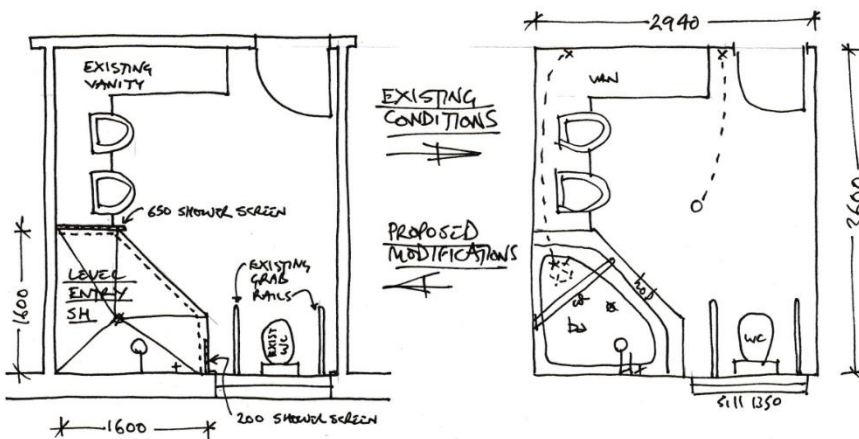
Funding body:

Occupational Therapist:

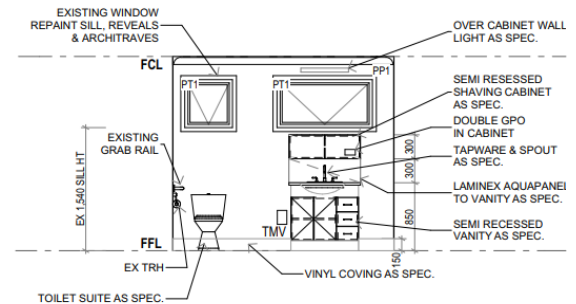
OT contact number:

OT email:

## EXISTING & PROPOSED PLANS:



## ELEVATIONS:



## SCOPE OF WORK:

### CONSTRUCTION

- \*brick veneer walls
- \*concrete slab floor

### DEMOLITION

- \*remove bath, hob and bath tap

### NEW WORKS

- \*create in-situ 1600 x 1600 (diamond shape to match removed bath/hob) level entry shower base with 1:40 to 1:50 fall to central waste. (Site visit recommended prior to quoting to ascertain waste depth and slab condition) (Ensure structural integrity of floor slab) Note: waste pipe from vanity basins currently runs above floor below bath to connect with bath waste. This will need to be chased into floor slab to accommodate level entry shower. Note: Sewer pipe runs along wall outside of bathroom.
- \*install 650 x 1800 safety glazed shower screen and 200 x 1800 safety glazed shower screen.
- \*install (AAA) hand-held shower fitting on rail (long hose)
- \*install weighted shower curtain on track
- \*install a new horizontal 1200 long grab rail to both walls of shower at 900 high (refer to O.T. for details) (Not shown on drawing)
- \*re-tile shower area walls from 860mm above floor down.
- \*tile floor of new shower area with minimum R10 slip-resistant floor tiles
- \*install 'Posigrip' finish to all floor tiles
- \*refer to owners for selection of all new fixtures, fittings and finishes
- \*make good throughout (including painting of any new works or works affected existing finishes)
- \*remove all builders debris from site
- \*all electricals to comply with AS/NZS 3000:2007
- \*all works to comply with BCA

**PHOTOS**

